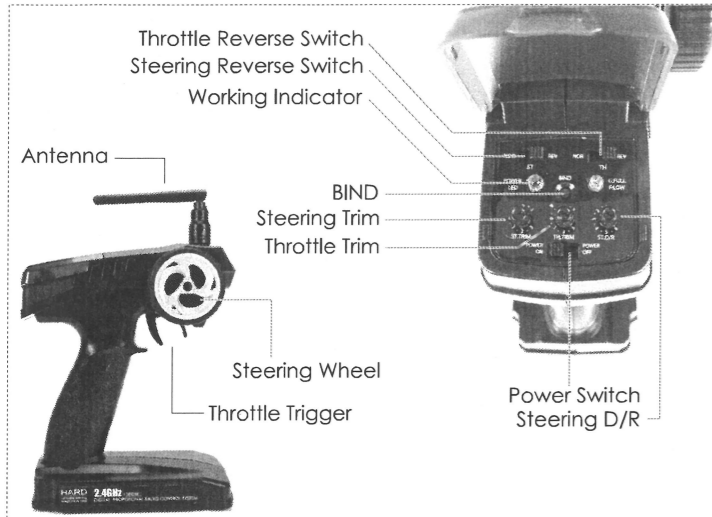


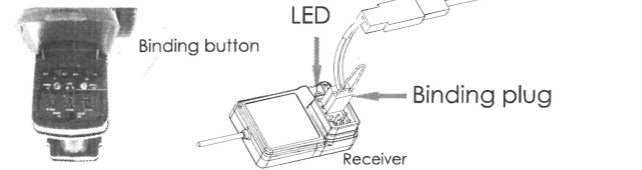
1 Transmitter Function



2 Binding (connecting the receiver to transmitter)

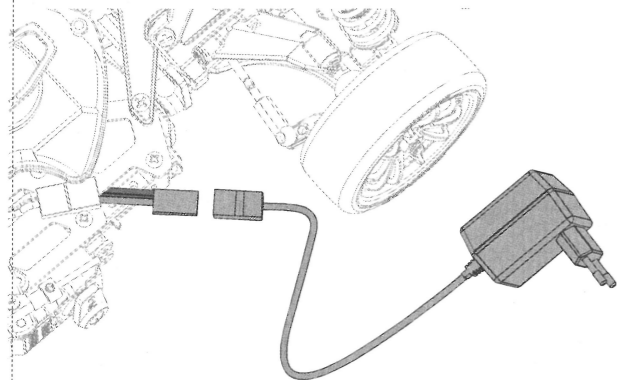
Our products are factory presets, and doesn't need to change, but if you need to change a new receiver or transmitter, please follow the steps below:

1. Install the battery to 2.4G transmitter and shut it down.
2. Insert the binding plug to the CH3 port of the receiver.
3. Connect the receiver battery to BATT port of the receiver, on the same time the LED are flashing.
4. Press and hold the binding button on the transmitter, and then turn on the transmitter.
5. Observe the LED on the receiver, if the LED light is steady, it means the process is completed. (This process is about 5s)
6. Release the binding button on the transmitter, take out the Binding plug.
7. Install the server and then test.
8. If the test failed, please repeat the steps above.
9. If the test success, then insert the power supply port into CH2.

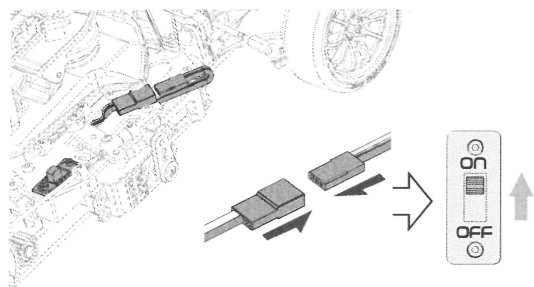


3 Operating Procedure

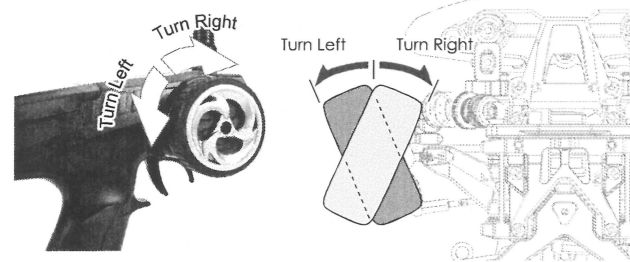
- 01** Make sure all the batteries are full charged before you install on the car.



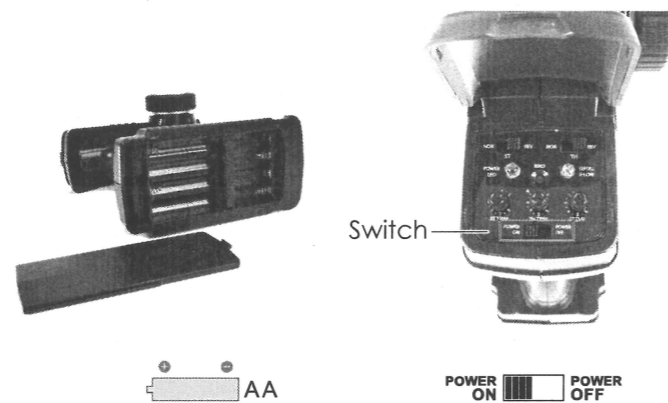
- 04** Connect the plug and turn on the power.



- 05** Turn the steering wheel right to turn the front tires go right.
Turn the steering wheel left to turn the front tires go left.

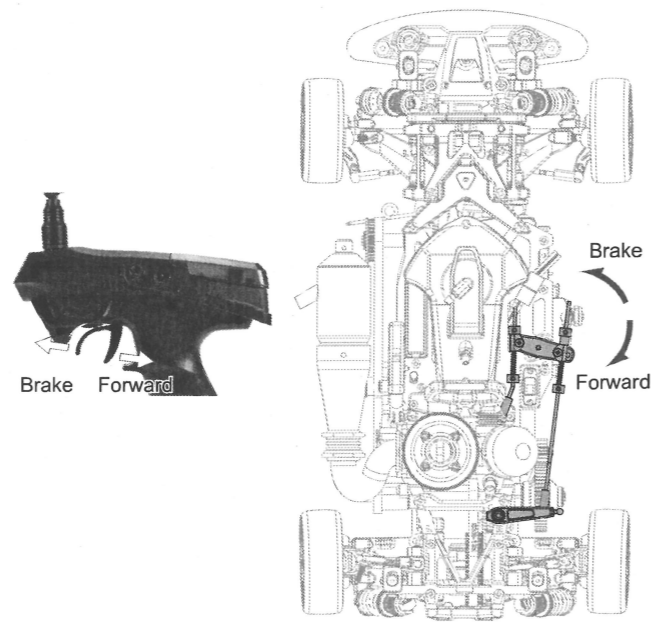


- 02** Install 8pcs AA batteries to the H.A.R.D. transmitter.

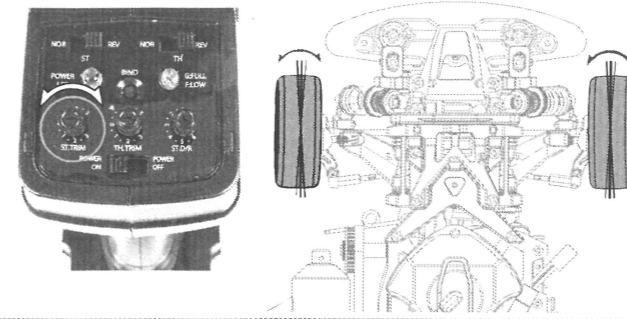


- 03** Turn on the transmitter first.

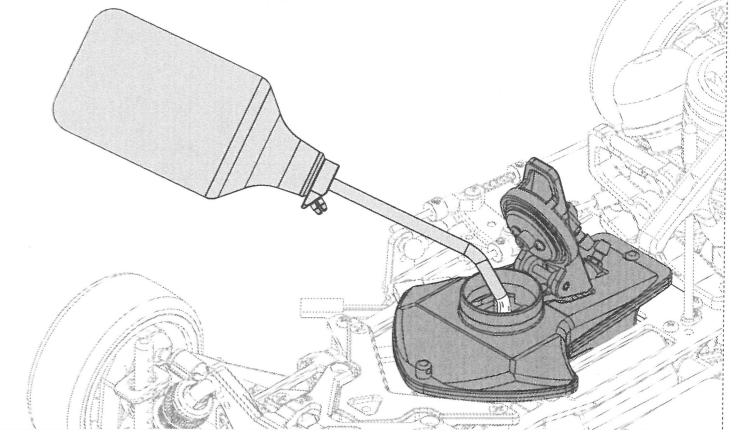
- Press the throttle trigger to moving forward the vehicle
- Push forward the throttle trigger to brake the vehicle.



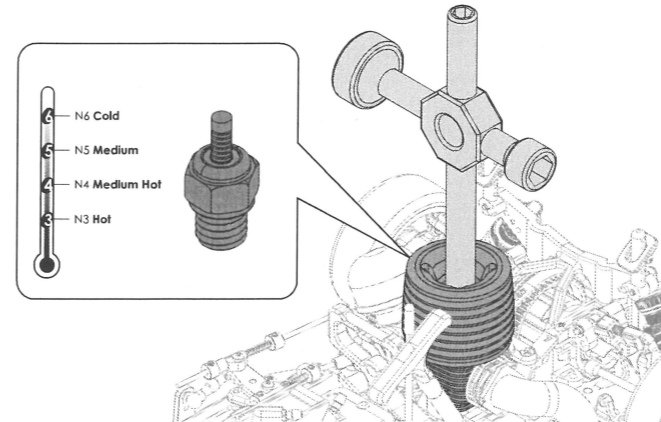
- 06** Turn the steering trim to adjust the front tires to center position.



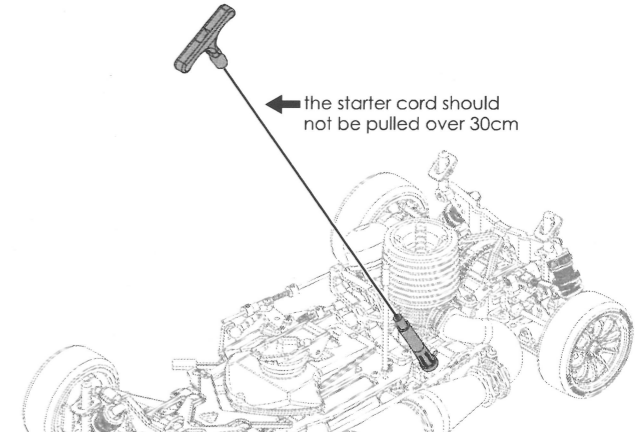
- 07** Fill up the fuel tank.



- 08** Install the glow plug in the engine (we recommend GO-ENGINE N5,N6)

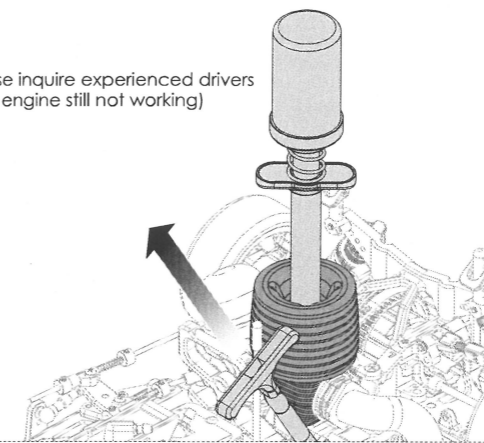


- 09** Pull the starter cord a couple of times until the fuel flows into the engine.

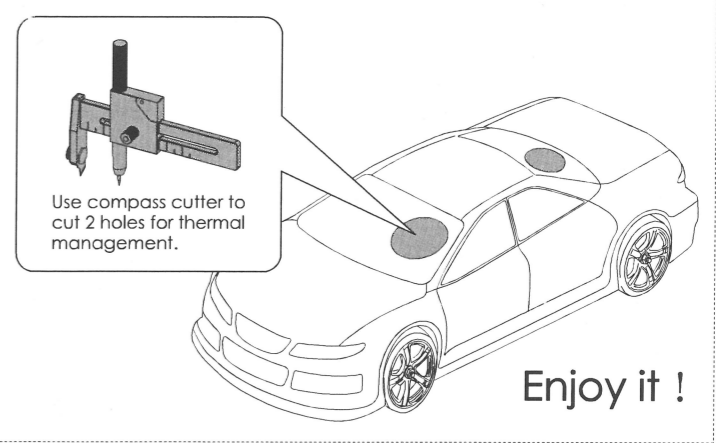


- 10** Connect the glow igniter with the glow plug to ignite the glow starter. Pull the starter cord to start the engine.

(please inquire experienced drivers if the engine still not working)



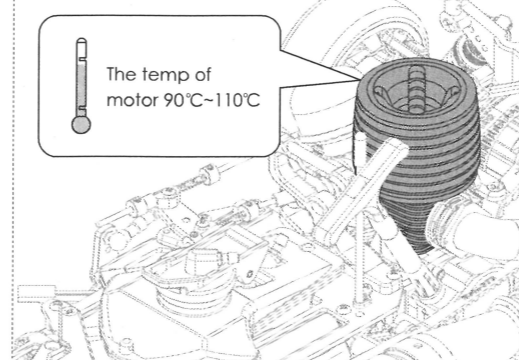
- 11** Assemble the car shell and try to run in a straight line, adjust the break, and throttle setting.



Enjoy it !

4 Caution!

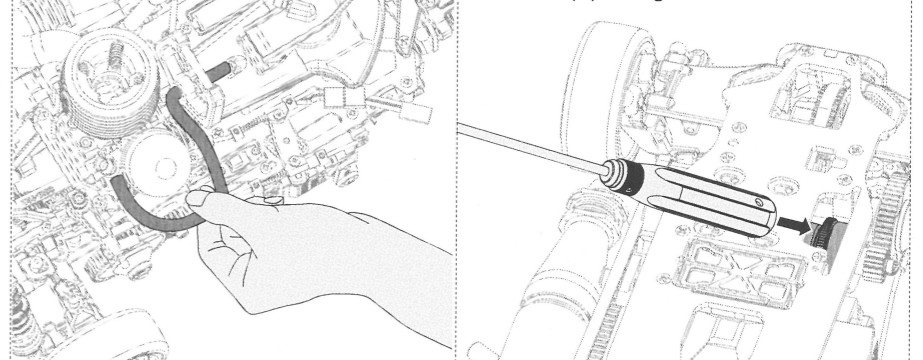
The engine temperature should not exceed 110°C. The proper temperature should be 90°C-110°C.



5 How to stop the engine?

There are 2 different ways to stop the engine:

1. Hold the fuel tube till the engine stops.
2. Use tools to touch the flywheel. Watch up your fingers!





Parts List

Rubber Spec

PARTS	
Item No.	Item Description
111003	3mm Alum. Flat Head Washer (6)
111007ST	3mm Steel Locknut (10)
111007F	3mm Flat Locknut (10)
111041	3mm Alum. Cap Washer (6)
111050	Pipe Holder (3mm)
111118	R5 R-clip (10)
111120	R6 R-clip (10)
111160	4mm Special Wheel Lock Nut (4)
114061	6v-1100mah Ni-MH Battery Pack
115001	Ball End & 5.8mm Flanged Steel Ball (6)
115002	4mm Ball Stud & Ball Cup (for 3mm rod)(6)
115016	Antenna Rod (2)
115022	4mm Ball Stud & Shock Ball Cup (6)
115023	Throttle Ball Cup (4)
115024	4mm Short Thread Ball Stud & Ball Cup (for 3mm rod) (5)
115025	4mm Short Neck Ball Stud & Ball Cup (for 3mm rod) (4)
116132	3x20mm Hardened Adjustable Rod (2)
116135C	3x50mm Adjustable Linkage Rod (2)
116141-8C	4x18mm CR Adjustable Rod (2)
116201	2x10.8mm Pin (10)
116202	E-clip 2.5 (10)
116203	E-clip 5 (10)
116207	Throttle/Brake Linkage Spring (4)
116208	Throttle/Brake Linkage Rod (4)
116219	3x6.5x2mm Alum. Washer (6)
116223	2x11.8mm Pin (10)
116232	2x13.8mm Pin (10)
116306BDCR	3x6mm Steel BDH TP Screw (6)
116308CR	3x8mm Steel FH TP Screw (cross) (6)
116308RCR	3x8mm Steel RH TP Screw (cross) (6)
116310CR	3x10mm Steel FH TP Screw (cross) (6)
116310RCR	3x10mm Steel RH TP Screw (cross) (6)
116312RCR	3x12mm Steel RH TP Screw (cross) (6)
116312CR	3x12mm Steel FH TP Screw (cross) (6)
117001	Alum. Stopper (4)
119004	Large Flow Soft Silicone Fuel Tube (100cm) Translucent
126303S	3x3mm Set Screw (6)
126306C	3x6mm Cap Screw (6)
126306CR	3x6mm Steel FH Screw (cross) (6)
126306RCR	3x6mm Steel RH Screw (cross) (6)
126308	3x8mm Steel FH Screw (6)
126308CR	3x8mm Steel FH Screw (cross) (6)
126310C	3x10mm Cap Screw (6)
126312C	3x12mm Steel Cap Screw (6)
126312CR	3x12mm Steel FH Screw (cross) (6)
126312RCR	3x12mm Steel RH TP Screw (cross) (6)
126314BU	3x14mm Button Head Screw (6)
126314C	3x14mm Cap Screw (6)
126320C	3x20mm Cap Screw (6)
126408S	4x8mm Set Screw (6)
150508	5x8x2.5mm Bearing (2)
150508F	5x8x2.5mm Flanged Bearing (2)
150510	5x10x4mm Bearing (4)
150612	6x12x4mm Bearing (4)
151015	10x15x4mm Bearing (4)
151218	12x18x4mm Bearing (4)
502103	G4 2 Speed Shoe Spring & Screw (2)
502108	G4 2 Speed 1st Spur Gear 51T
502111	G4 One Way Hub & Nut (w/bearing)
502115	G4 Diff Case (2), Diff Case Cover (1) & Gasket (2)

Item No.	Item Description
502116	G4 Diff Joint, P5 O-ring, 5x12mm Shim & 2x11mm Pin (2)
502117	G4 4x10mm Shim, Bevel Shaft & Bevel Gear Set
502130	G4 Shock Shaft & Piston Set (2)
502131	G4 Membrane (4)
502134	G4 Shock Spring Cup (4)
502144	G4 Stock Shock Spring (2)
502152	G4 9mm Pivot Ball Nut (2)
502160	G4 Front Lower Arm & Up/Down Stop Mount
502171	G4 Front Belt
502174	G4 Fuel Tank Supporter & Handle
502183	G4 Front Body Post (2)
502184	G4 Front Lower Bumper
502186	G4 Bumper Foam Post Set (2)
502190	G4 Rear Shock Tower
502198	G4 Brake Plate & Brake Pad
502203	G4 2 Speed Housing Dust Cover
502211	G4 Belt Tensioner
502217	G4 Throttle Linkage Set
502221	G4 Servo Arm (Futaba) (2)
502222	G4 Servo Spacer (4)
502223	G4 Servo Arm (Ko, Sanwa & JR) (2)
502228	G4 SG Clutch Nut
502246	G4 Middel Belt Mount
502247	G4 Fuel Tank
502248	G4 Side Belt
502262	G4 Servo Mount Set (for S/Le Mans)
502263	G4 Radio Plate Support (S/Le Mans)
502268	G4 Thick Servo Arm (Futaba) (2)
502269	G4 Thick Servo Arm (Ko, Sanwa & JR) (2)
502272	G4 Receiver Battery Pack Mount (S/Le Mans)
502282	G4 Duro 2 Speed 2nd Spur Gear 46T (use with 502284 & 502285)
502284	G4 Duro 2 Speed Housing & Nut (w/bearing) (use with Duro gears and shoe)
502285	G4 Duro 2 Speed Shoe (1 pair) (use with Duro housing and gears)
502286	G4 Front Lower Flying Wing Arm (1 pair)
502287	G4 Flying Wing Arm Clip and Spacer Set (2)
502288	G4 New Rear Bulkhead (1 pair)
502291	G4 Rear Lower Flying Wing Arm (1 pair)
502292	G4 Front Upper Flying Wing Arm (1 pair)
502294	3x6x0.5mm Iron Shims
502318	G4 Front Diff Pulley 30T
502321	G4 Pulley Set (19T, 20T & 27T)
502322	G4 Rear Plate
502324	G4 Diff Gasket (4)
502326	G4 Brake Post & Lever Set
502327	G4 Rear Upper Arm Linkage Set
502335	G4 Engine Mount
502338	G4 Radio Plate
502340	G4 Front Shock Tower
502341	G4 Front X Plate
502342	G4 3mm Alum. Chassis
502343	G4 Front/Rear CVA joints (2)
502345	G4 3x42.2mm Steel Hinge Pin (Front Upper for speed shot system) (2)
502346	G4 3x75mm Steel Hinge Pin (Front Lower) (2)
502347	G4 3x25.8mm Steel Hinge Pin (Rear Upper) (2)
502348	G4 3x56mm Steel Hinge Pin (Rear Lower) (2)
502349	Team Magic G4JS 2 Speed Shoe Cam
502350	G4 Brake Bracket
502353	G4 P3 O-ring (4) & Washer (4)
502355	G4 Nylon Threaded Shock Body Set (2)
502360	5x8mm Flanged Bushing (2)

