

E6III_{BES}



Bird Eating Spider

E6III Bird Eating Spider EP Monster Truck

We All Know How Magical It Is

505006

Instruction Manual



Thank you for choosing the Team Magic E6 III BES. The E6 III BES is designed to be fun to drive and use top quality parts for performance and durability. Before you start building your new R/C kit, we suggest you read through the instruction manual first. Be sure to check all assembly and performance tips before you start. We hope you enjoy the building processes.

General Building Tips:

- ▶ Read the instruction manual before building.
- ▶ Clear a work area and try to work on a light color towel to avoid missing dropped parts.
- ▶ Don't over-tighten fasteners. Many assembly problems are caused by over-tightening screws or nuts. Don't use too large a grip. Please go slowly and feel the resistance build. Just snug it up.
- ▶ When it doesn't fit, please double check. If an assembly is not going together correctly, then either there really is a bad fit (e.g. a part is damaged or defective) or a mistake in assembly. Always re-read the instructions when there are any problems. If you cannot figure out what's wrong, always ask dealer, distributor or Team Magic. Don't use force beyond what the instructions call for.
- ▶ Using the right tools makes assembly much easier. The instructions below finely indicate you what tools to get to make things easier. We don't want to scare you by saying that all these tools are required, but you will have a easier time if you have them. Borrow them from a friend to check if necessary.
- ▶ The assembly is arranged so that you will open the bag and finish that bag before you go on to the next bag. Sometimes, you will have parts remaining at the end of a bag. These will become part of the following bags.

A Good Dealer Is Extremely Important!!

A good hobby dealer can help you with most assembly problems you might encounter. This is the main reason why you should buy your kits from a good dealer rather than from the cheapest dealer. Bring your problematic parts to the dealer and, most likely, you'll walk away soon thereafter with the problem solved. If you think that you really don't have the mechanical skills to complete the assembly, you may pay your dealer to finish the job for you.



Thank you for purchasing the E6 III BES. To drive the car, you will need to check the following procedures.



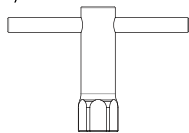
- ▶ After vehicle gets wetly, please unplug the connecting wire from ESC and battery to avoid put users in danger. Also making rustproof process for rings and metal parts is highly recommended.



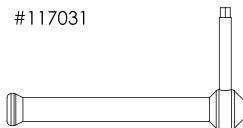
- ▶ If the vehicle has high opportunity to drive on the water as necessary, please seal the air aperture on back of tires by types before users perform this action to prevent the sponge to absorb the water from inside of tires.

1 Included tools

- Cross Wrench (17mm)



- L Type Hex Wrench (2.5mm) #117031

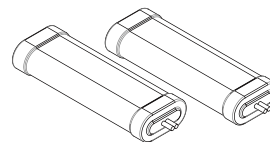


2 Required items

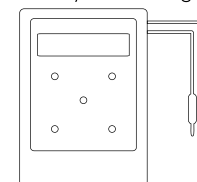
- AA Alkaline Or Rechargeable Batteries For Transmitter, 4pcs



- 7.4v Rechargeable Battery Pack X 2



- Battery Pack charger

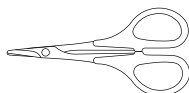


3 Helpful equipments

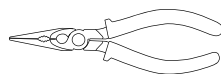
- Hobby Knife (Warning!! This knife cuts nylon parts and fingers with equal ease. Be careful.)



- Body Scissors (for body cutting) #116006



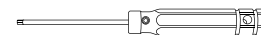
- Needlenose Pliers



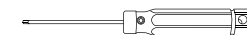
- TM Black RC Hex Wrench Metric Size 1.5mm #117057-1



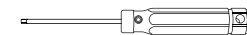
- TM Black RC Hex Wrench Metric Size 2.0mm #117057-2



- TM Black RC Hex Wrench Metric Size 2.5mm #117057-3



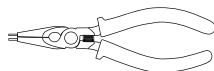
- TM Black RC Hex Wrench Metric Size 3.0mm #117057-4



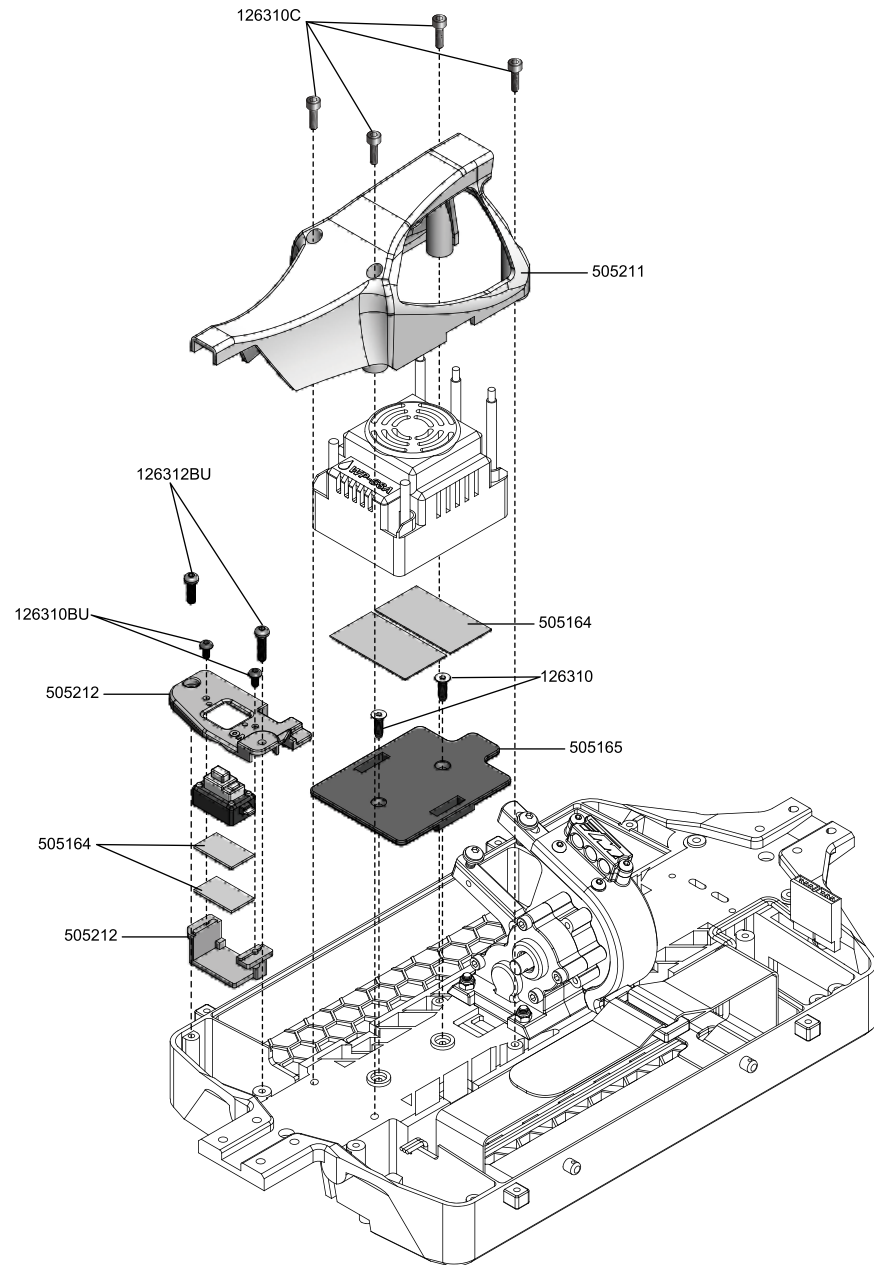
- TM Black HC Nut Driver 5.5mm (for 3mm nut) #117010



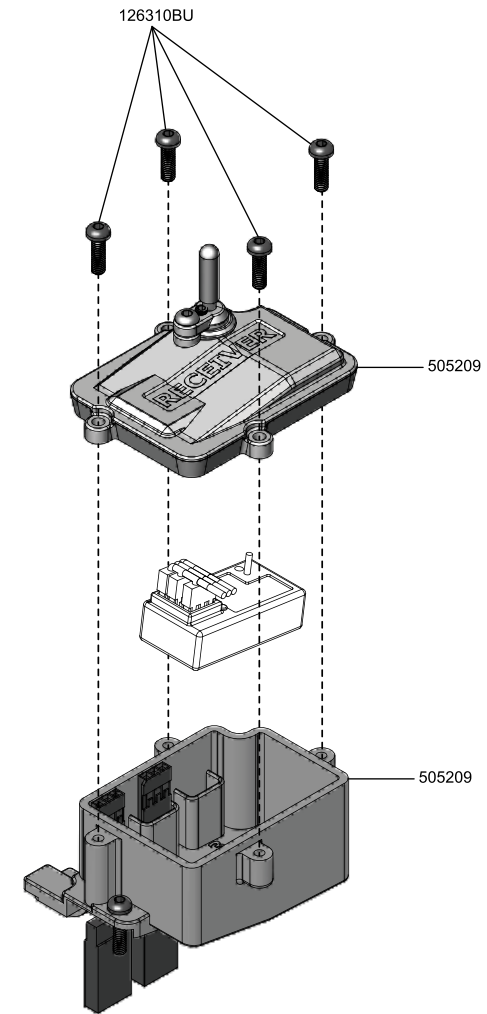
- Circlip Plier #117032



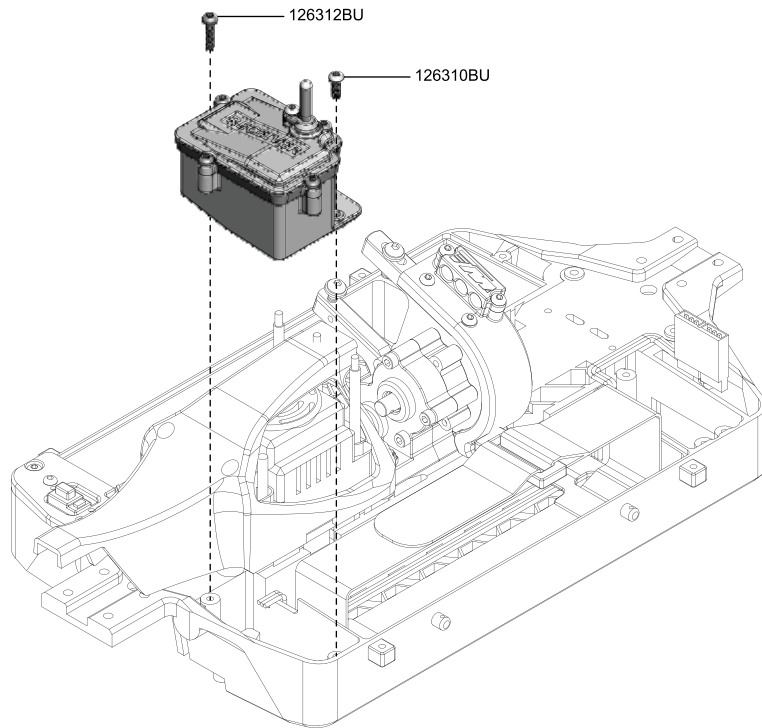
ESC Assembly



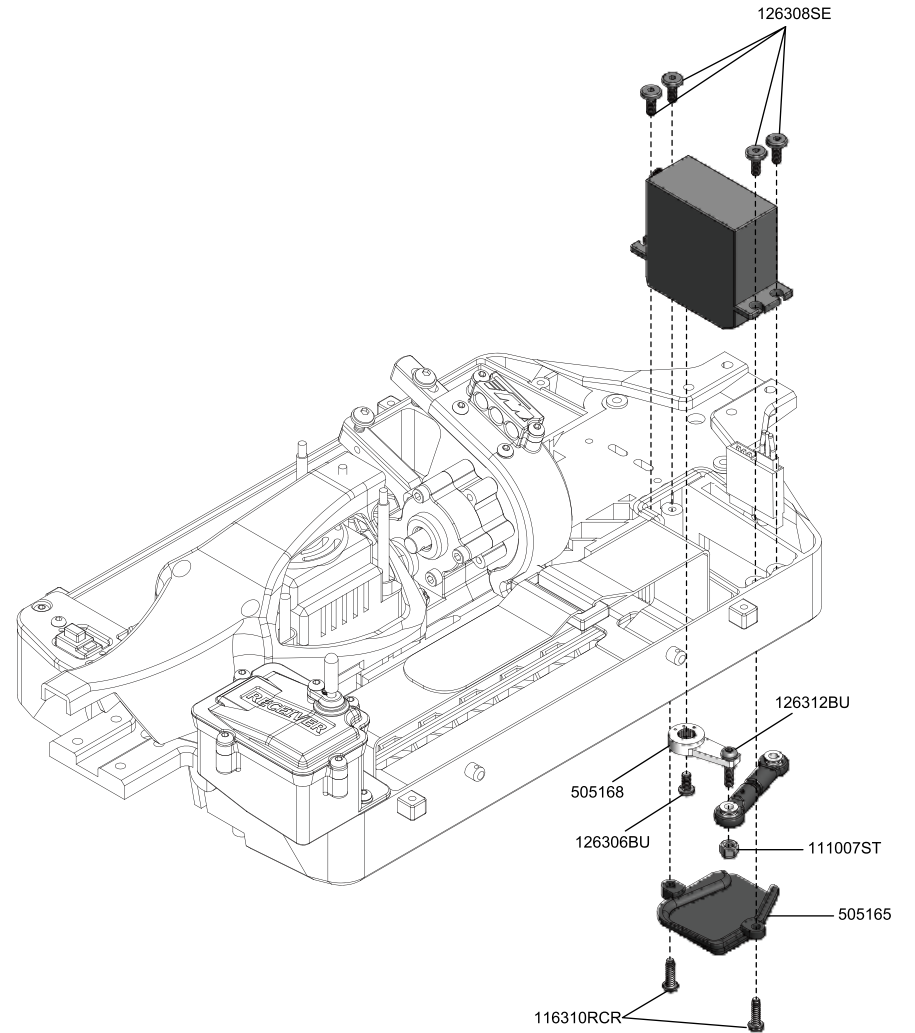
Receiver Assembly



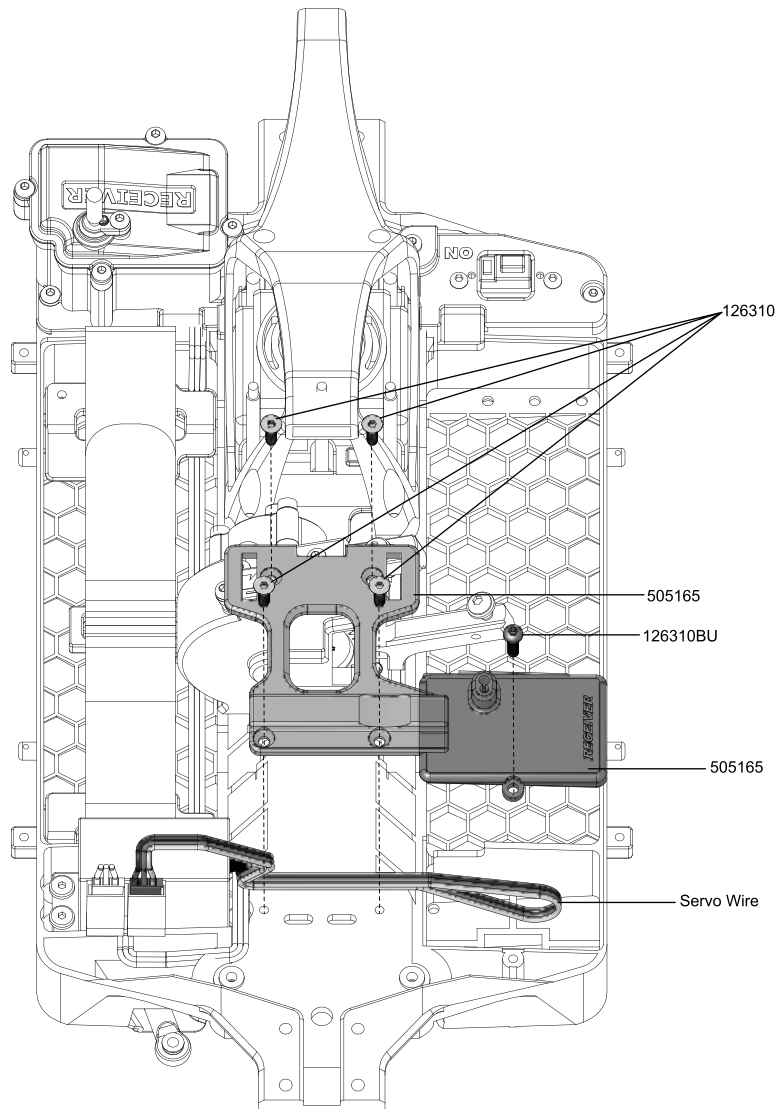
Receiver Box Assembly



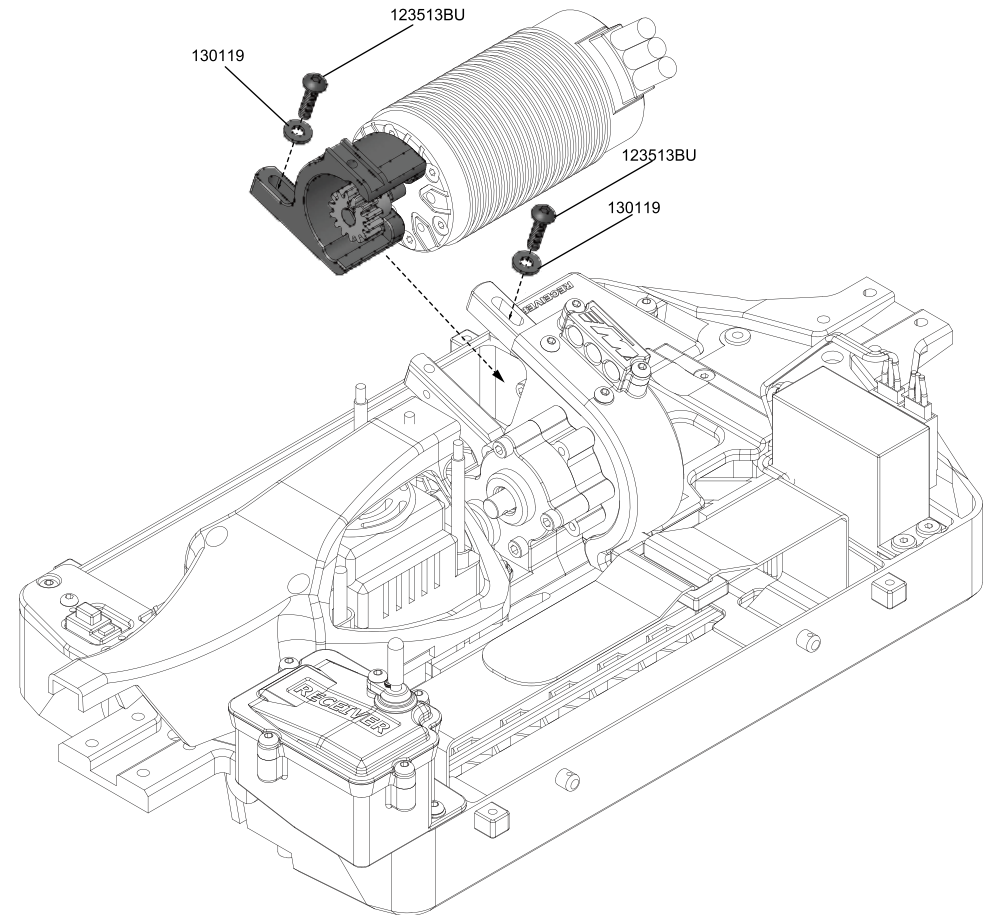
Servo Assembly

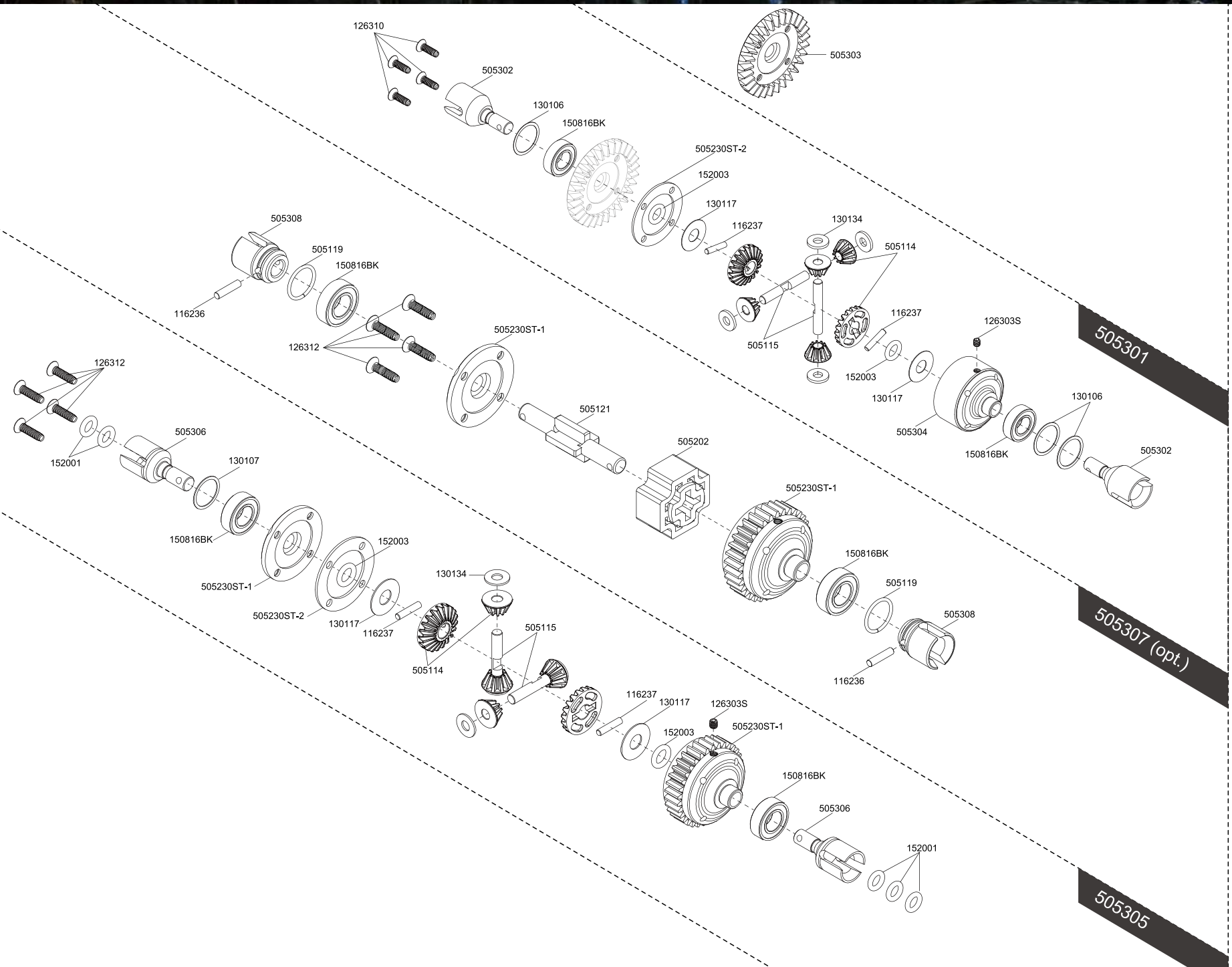


Motor Mount Assembly



Motor Assembly

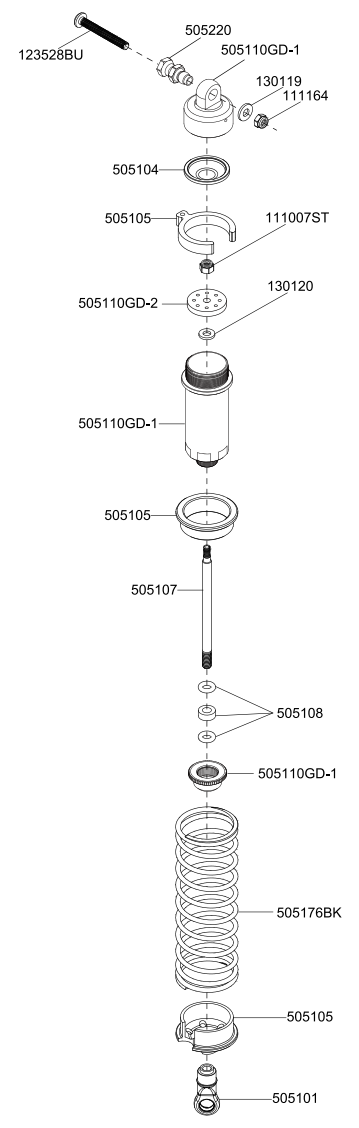




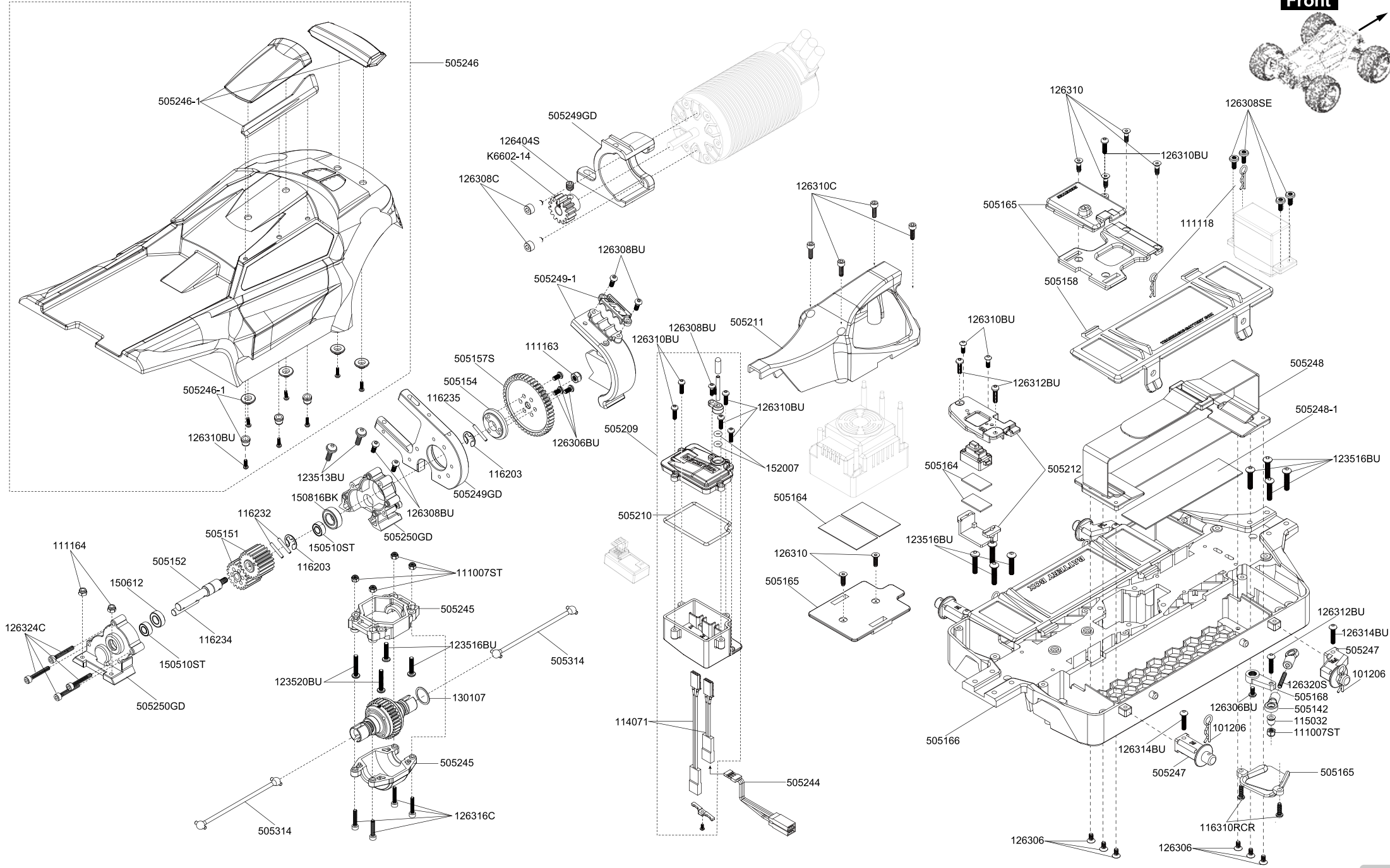
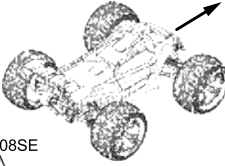
505301

505307 (opt.)

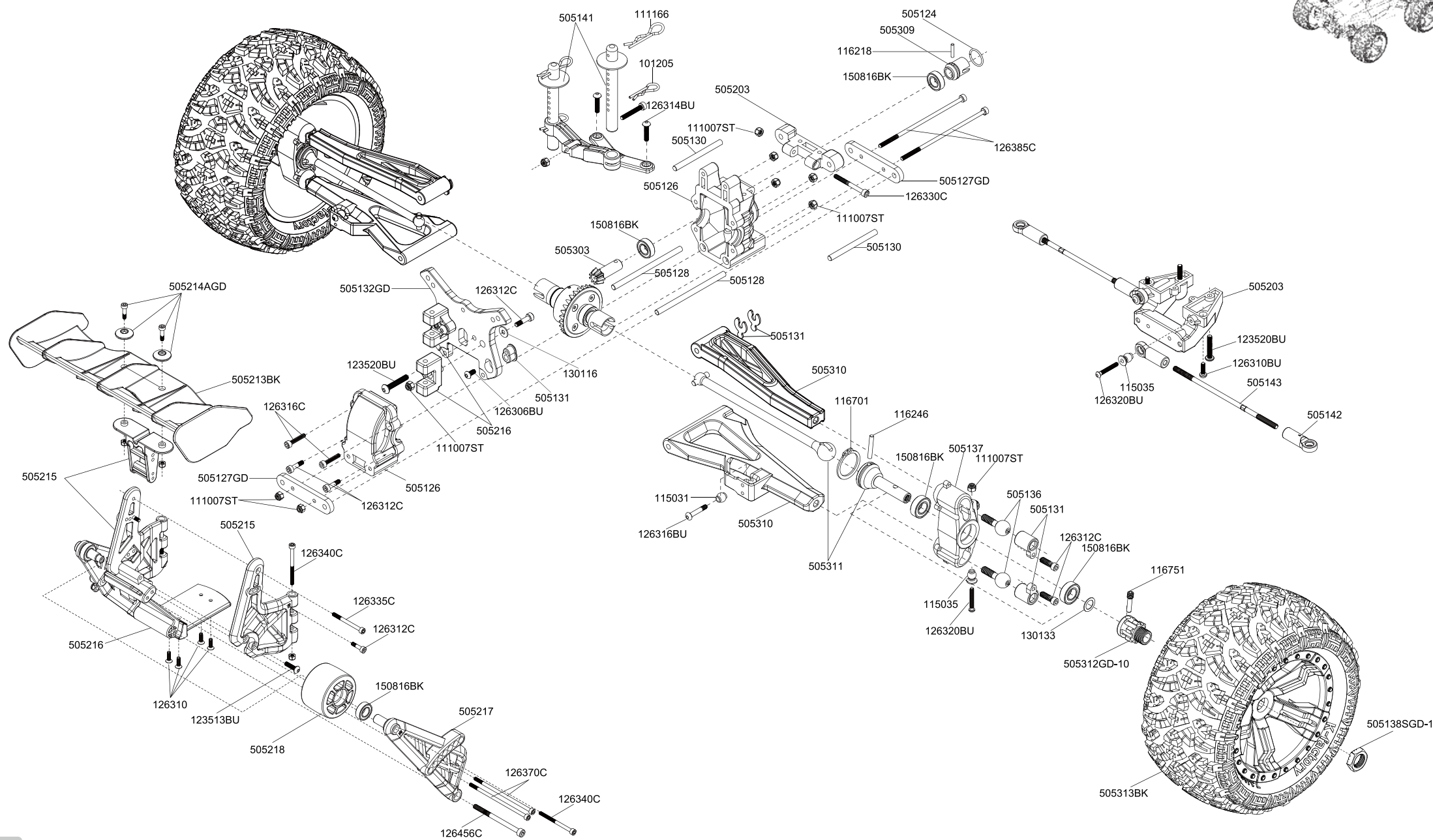
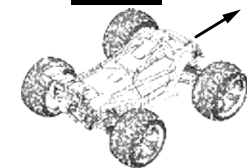
505305



Front



Front





Team Magic Model Industrial co. Ltd.

No.185-2, 38th Road, Taichung Industrial Park, Taichung, Taiwan 407

E-mail: service@teammagic.com.tw

Web: www.teammagic.com.tw

Tel: 886-4-23552606 Fax: 886-4-23552946

MADE IN TAIWAN
61529

