

Parts List

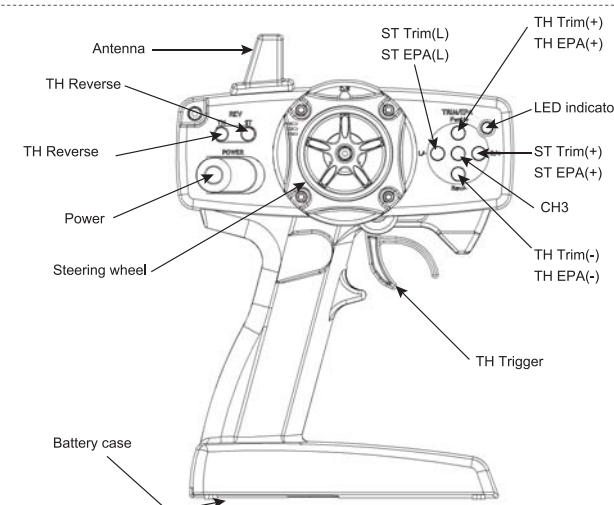
PARTS	
Item No.	Item Description
111007ST	3mm Steel Locknut (10)
111120	R6 R-clip (10)
111160	4mm Special Wheel Lock Nut (4)
111165	3mm Flanged Nut(10)
115016BK	Antenna Rod (2) BLACK
115029	4x12mm Ball Stud(6)
116132GD	3x20mm Hardened Adjustable Rod (2)-Gold
116133GD	3x30mm Hardened Adjustable Rod (2)-Gold
116134GD	3x40mm Hardened Adjustable Rod (2)-Gold
116203	E-clip 5 (10)
116219	3x6x2mm Alum. Washer (6)
116227	E-clip 2.0 (10)
116228	2X9.0mm Pin(10)
116238	2x12.8mm Pin (10)
116240	2x9.8mm Pin (10)
116244	2x7.8mm Pin (10)
116308	3x8mm Steel FH Self-Tapping Screw (6)
116308BU	3x8mm Steel Button Head Self-Tapping Screw (6)
116310	3x10mm Steel FH Self-Tapping Screw (6)
116310BU	3x10mm Steel Button Head Self-Tapping Screw (6)
116314BU	3x14mm Steel Button Head Self-Tapping Screw (6)
126210BU	2X10mm BH Screw(10)
126303NL	3x3mm Thread Lock Set Screw (6)
126303S	3x3mm Set Screw (6)
126304BU	M3X4mm BH Screw(10)
126306	3x6mm Steel FH Screw (6)
126306BU	3x6mm Steel Button Head Screw (6)
126308	3x8mm Steel F.H. Screw (6)
126308SE	3x8mm Steel Flat Round Servo Mount Screw (6)
126408S	4x8mm Set Screw (6)
130111	2.6X6X0.5mm Washer(10)
130114S	3X6X1mm Steel Washer(10)
130124	3x7.5x1.5mm Washer (10)
130125	3x6x4mm Alum. Washer (6)
130129	5.2x12x0.2 Washer (10)
130131	3.1x8x0.1mm Washer (10)
150306ST	3x6x2.5mm Steel Bearing(4)
150508ST	5x8x2.5mm Steel Bearing(4)
150510ST	5x10x4mm Steel Bearing (4)
151015ST	10x15x4mm Steel Bearing (4)
152005	O-Ring 4.7X1.4mm(10)
152007	O-Ring P3(10)
191001	THOR 540 Motor
191003	THOR WP-1040 ESC
191004	THOR WP-3003 Servo
503117BK	E4 5x4mm Ball Stud (6)-Black
503127BK	E4 Steering Block 5x10mm Ball Stud (4)-Black
503138BK	E4 5x7mm Ball Stud (6)-Black
503140	E4 Long Ball Cup (6)
503180	E4 Shock Spring Mount & Ball Cup (4)
503275	E4J Servo Mount
507108	Steering Post (2)
507109	Alum. Spur Gear Holder
507110	20T Pulley (2)
507114	Diff. Case Gasket (4)
507115	Diff. Case O-ring (4)
507116	Belt Tension Adjuster (4)
507119	Long Belt
507120	Short Belt
507127H	Front Suspension Arm-Hard Material (2)

Item No.	Item Description
507128	Front Suspension Pin (2)
507133	Rear Suspension Pin (2)
507136	Bushing For Caster Block (2+2)
507136	Bushing For Caster Block (2+2)
507139	Steering Block (2)
507141	Caster Block Pin (2)
507142	Rear Hub Carrier (2)
507143	Rear Hub Carrier Pin (2)
507147	Servo Arm (Futaba) (2)
507161	Shock Membrane (4)
507162	Front Body Support (2)
507163	Foam Bumper
507164	Bumper Mount Set
507206	Light Weight Bevel Gear Set (4)
507207	Light Weight Diff. Case
507217	Rear Body Support (2)
507217-1	Extra Body Post (6mm) (2)
507219	Caster Block (4 degree) (2)
507235H	Rear Suspension Arm-Hard Material (2)
507402	E4JS II Front Bulkhead (2)
507404	E4JS II Rear Bulkhead (2)
507405	Spur Gear 48P 80T
507406	E4JS II Differential Set
507407	E4JS II Differential Cup (2)
507408	E4JS II Bulkhead Upper Mount
507412	E4JS II Middle Shaft Mount
507414	E4JS II Dual Steering Arm Set
507415	E4JS II Hinge Pin Mount (2+2)
507416	E4JS II Universal Driveshaft (2)
507416-1	E4JS II Driveshaft Only (2)
507416-2	E4JS II G-Clip for Universal Driveshaft (4)
507416-3	E4JS II Universal Driveshafte Outdrive (2)
507417	E4JS II Wheel Adapter (4)
507418	E4JS II Upper Plate
507420	E4JS II Front Shock Absorber Set (2)
507420-2	E4JS II Shock Piston (4)
507420-3	E4JS II Shock Shaft (2)
507420-4	E4JS II Shock Shims (2)
507420-5	E4JS II Shock Body Set (2)
507420-6	E4JS II Shock Upper Cap(2)
507421	E4JS II Rear Shock Absorber Set (2)
507421-1	E4JS II Rear Shock Absorber Spring (2)
507421-1	E4JS II Rear Shock Absorber Spring (2)
507422	E4JS II Antenna Rod Mount
507501	E4JR II Chassis
507502	E4JR II Front Shock Tower
507503	E4JR II Rear Shock Tower
507504	E4JR II Motor Mount
507505	E4JR II Battery Mount
507506	E4JR II Battery Fixing Ring (2)
507507	E4JR II Front Spool Set
507507-1	E4JR II Spool Block
507508BK	E4JR II High Grip Pre-mounted Tires (4)
507509-320	E4JR II Pre-painted body-320
507509-EVX	E4JR II Pre-painted body-EVX
507509-T86	E4JR II Pre-painted body-T86
H6818WP	HR3GR 3 Channel 2.4G Receiver-Water Proof
K6310-400	K Factory Shock Oil 70ml/2.5oz #400
K6606-32	48P Pinion Steel Gear for 3.175mm Shaft 32T



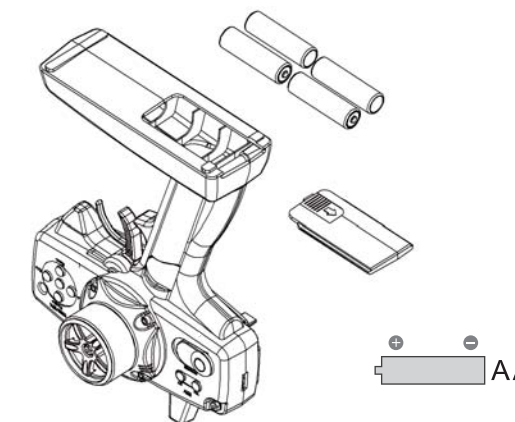
► Instruction & Setup Manual

1 Transmitter Function

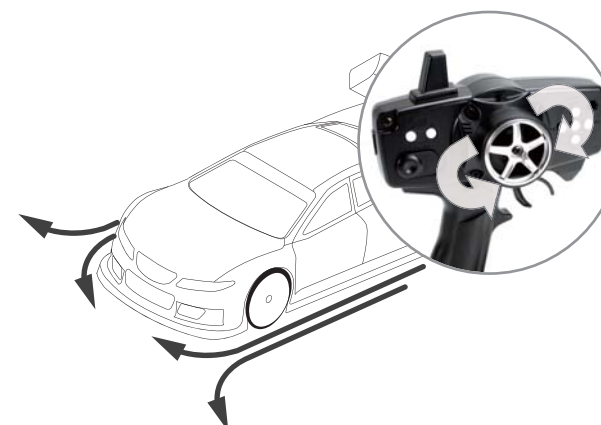


2 Operating Procedure

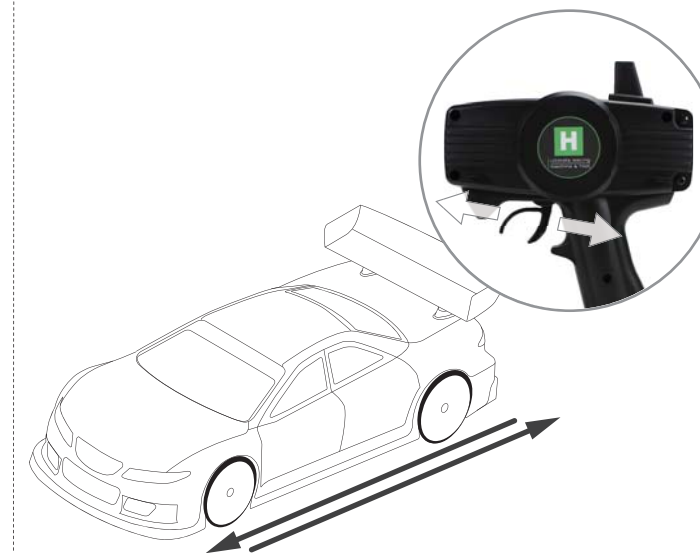
01 Install 4pcs AA batteries to the H.A.R.D transmitter.



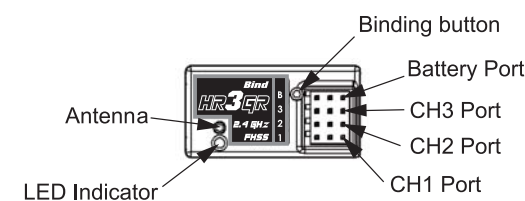
02 Turn the steering wheel right to turn the front tires go right.
Turn the steering wheel left to turn the front tires go left.



03 Press the throttle trigger to moving forward the vehicle.
Push forward the throttle trigger to brake and reverse the vehicle.



3 Binding (connecting the receiver to transmitter)



Binding the Receiver to the Transmitter

"Binding" is tuning the receiver to the frequencies used by the transmitter. Bind the receiver to the transmitter as follows:

1. With both transmitter and receiver turned off, place the units no more than 30 cm (1 ft) apart.
2. While holding down the receiver's BIND button, apply power to the receiver. Its LED will start to flash steadily, indicating that the unit is in binding mode, a state that lasts up to 30 seconds.
3. Turn the transmitter on. It will immediately go into binding mode, a state that lasts one second.
4. When the receiver's LED shines steadily, binding is complete.

E4JR II RTR

